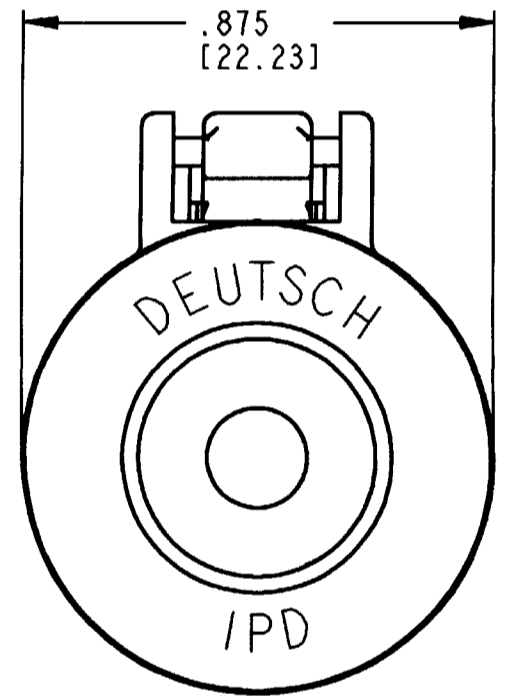
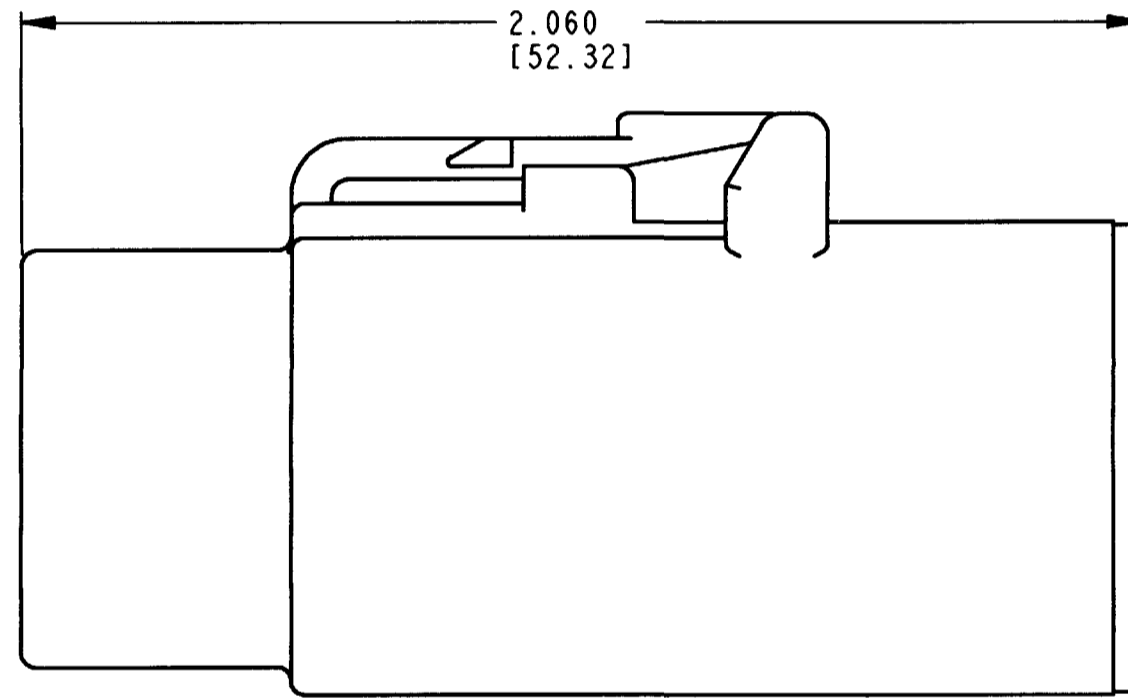
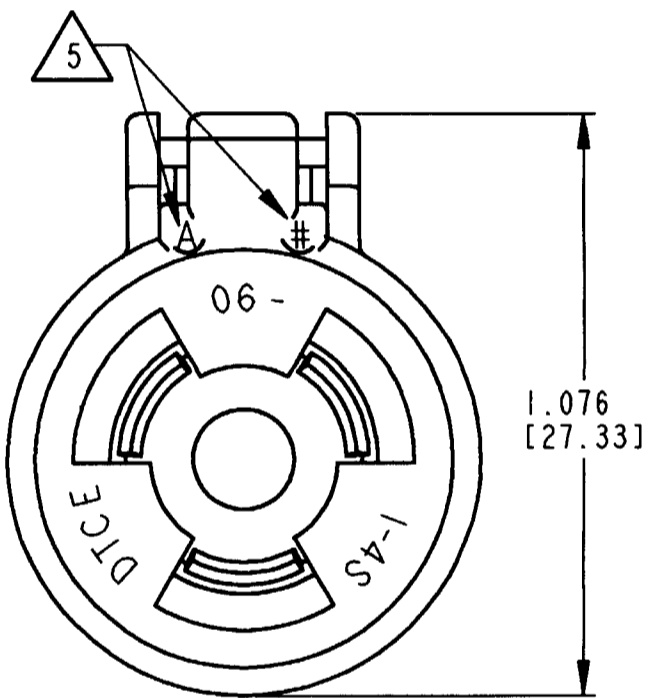


REV
B DTCE06-1-4S-E003

REVISIONS			
SYM	DESCRIPTION	DATE	APPROVED
NC	NEW RELEASE PER E.O. A14636	12/6/94	R.D.R.
A	REVISED PER E.O. A14893	09/28/95	R.D.R.
B	REDRAWN & REVISED PER E.O. P16219	8-9-99	RDR



5. DATE CODE: MONTH IS REPRESENTED BY SEQUENTIAL ALPHA CHARACTERS. EX: A = JANUARY.
YEAR IS REPRESENTED BY LAST NUMERIC DIGIT. EX: 2 = 2002.

- 4. FOR CONTACT INFORMATION, SEE ENVELOPE DRAWING 4025-001-0000. FOR FURTHER INFORMATION CONTACT FACTORY.
- 3. THIS PLUG MATES WITH DTCE04-1-4P-**** RECEPTACLE (**** = ALL MODIFICATIONS).
- 2. ALL DIMENSIONS ARE INCHES [MILLIMETERS].
- 1. ALL DIMENSIONS ARE ±.025 [±.63], UNLESS OTHERWISE SPECIFIED.

NOTES:

SIGNATURE & DATE	
DR	J. HAYNES 08/02/99
CHK	M. Blum 09/28/99
PE	J. Haynes 8/9/99
APPD	R. Radt 8-9-99
SCALE	NONE WT

PLUG
POWER DT
SIZE 4
CE CONTACTS
-E003 MOD.
COLOR: BLACK
ENVELOPE

CP	MATL. CODE
The Deutsch Company DEUTSCH I.P.D. 3850 INDUSTRIAL AVE. HEMET, CALIF. 92545	
B DTCE06-1-4S-E003	
DWG SIZE	SHEET OF